

Quick coupler for expansion vessel

Application:

Coupling 3/4 with back water valve for mounting the expansion vessel in dhw and ch instalations (e.g for safety groups).

Connector simplifies servicing works by allowing quick assembly / disassembly of expansion vessel without having to drain the water from installation.



Technical specification:

Nominal pressure: 10 bar

Maximum operating temperature: 95°C

Material: Brass CW617N

Certifications and Norms:

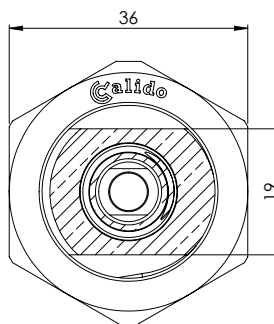
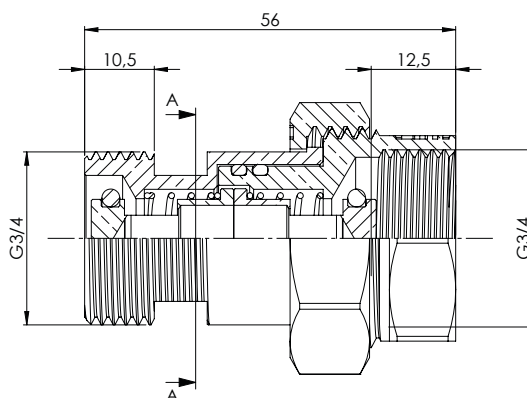
PN-EN 1254-4:2021-10

National Declaration of Performance 1/calido/2024

Certified product NIZP-PZH



Drawing:



A-A