

New generation
pumps

Mercurio

Electronic pump



Use

Mercurio electronic pump is widely used in central heating, air conditioning, solar and heat pump systems.

Its use, compared to old-type pumps, saves electricity up to 80%.

Materials

Motor housing: aluminum

Rotor : plastic

Shaft: ceramic

Bearings: ceramic

Insulation: biodegradable foam

Included: two steel half-unions with gaskets and electric cable with plug

Technical details

Liquid temperature: from -10°C to 110°C

Acceptable working pressure: 10 bar

Acceptable ambient temperature: 40°C

Circulated liquid: water according to PN-C-04607:1993 standard (free of solid particles, fibers and other impurities) and water-glycol solution of up to 50% concentration

Supply voltage: 220V - 230V (50Hz)

Protection class: IP44

Insulation class: F

Energy efficiency index: EEI ≤ 0,20

Operating modes: AUTO mode; I, II, III modes; HPP mode; LPP mode; HCP mode; LCP mode, NIGHT mode

Pump parameters

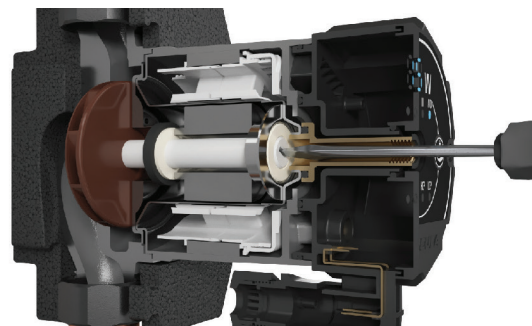
SIZE RANGE	POWER [W]	MAX FLOW [m ³ /h]	MAX HEAD [m]	BODY CONNECTOR DIAMETER
CI-PE-MERCURIO 25/40	5-22	2,6	4	1 1/2"
CI-PE-MERCURIO 25/60	5-45	3,6	6	1 1/2"

Advantages

- additional venting and emergency rotor start-up, thanks to its innovative inspection sleeve located in the shaft axis
- self-venting design

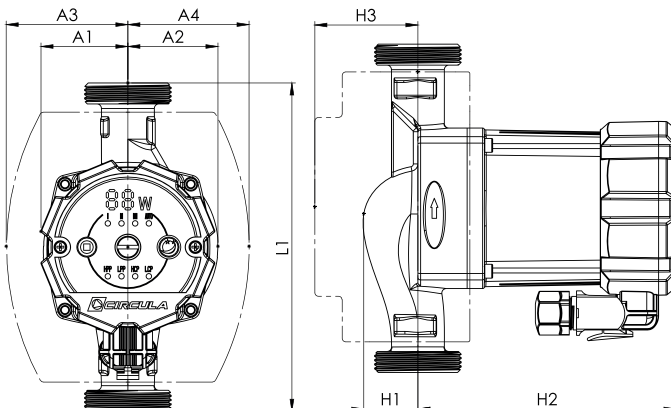
Possibility of additional venting

Possibility of rotor start-up



The pump is automatically vented when you hold down the "night reduction" button for 5 s.

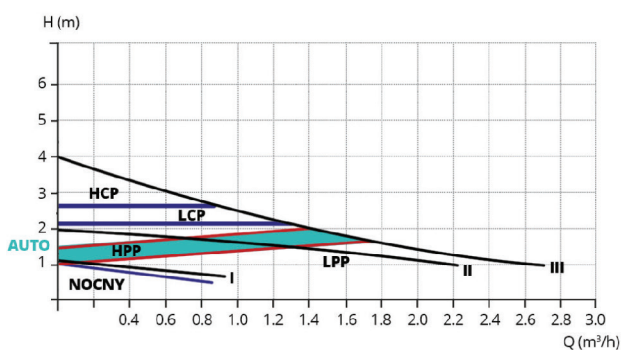
Dimensions



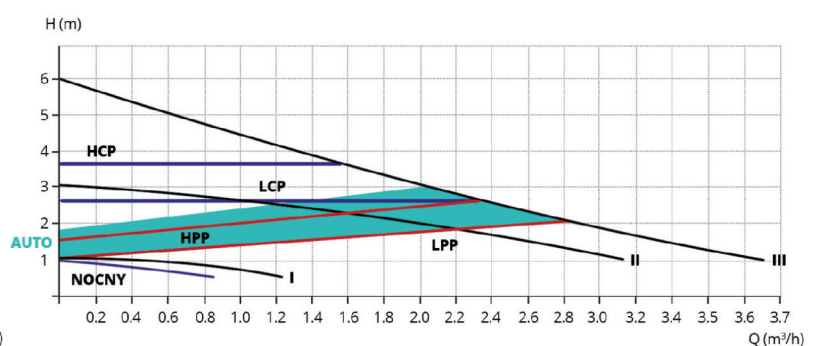
SIZE RANGE	DIMENSIONS (mm)							
	L1	A1	A2	A3	A4	H1	H2	H3
25/40	180	47	49	67	67	30	140	57
25/60	180	47	49	67	67	30	140	57

Hydraulic characteristics of pumps

CI-PE-MERCURIO 25/40



CI-PE-MERCURIO 25/60



Titanio

Electronic pump



Use

Titanio electronic pump is widely used in central heating, air conditioning, solar and heat pump systems.

Functionality

- Equipped with an electric cable with plug and seals
- 10 operating modes (characteristics: proportional pressure, constant pressure, constant speed)
- AUTO mode
- Automatic return to settings after power return

Technical details

Liquid temperature: 2°C ~ ÷ 95°C

Acceptable ambient temperature: 0 - 40°C

Temperature class: TF=95°C

Acceptable working pressure: 10 bar

Supply voltage: 230V (50Hz)

Protection class: IP44

Insulation class: E

Circulated liquid: water according to PN-C-04607:1993 standard (free of solid particles, fibers and other impurities) and water-glycol solution of up to 50% concentration

Pump parameters

SIZE RANGE	BODY CONNECTOR DIAMETER	MAX FLOW [m³/h]	HEAD [m]	POWER [W]	CURRENT [A]	EEL
CI-TITANIO 25/40-180	G 1 1/2"	2,5	0,7 - 4	25	0,3	≤0,20*
CI-TITANIO 25/60-180	G 1 1/2"	3,2	1 - 6	45	0,5	≤0,20*
CI-TITANIO 25/60-130	G 1 1/2"	3,2	1 - 6	45	0,5	≤0,20*
CI-TITANIO 25/80-130	G 1 1/2"	3,4	1,5 - 8	65	0,65	≤0,21
CI-TITANIO 25/80-180	G 1 1/2"	3,6	1,5 - 8	65	0,65	≤0,21
CI-TITANIO 15/60-130	G 1"	3,2	1 - 6	45	0,5	≤0,20*
CI-TITANIO 32/80-180	G 2"	4	1,5 - 8	65	0,65	≤0,21

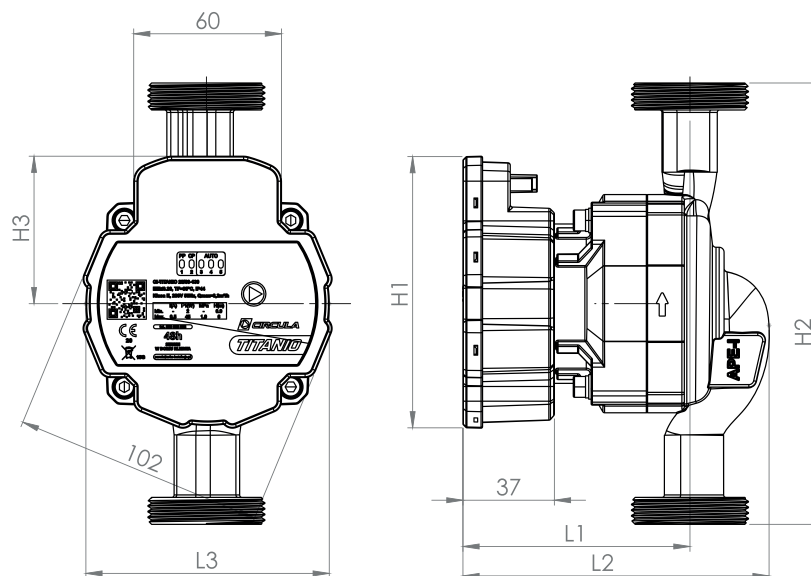
* Highest energy efficiency index: EEL ≤ 0,20.

Advantages

- Modern and high-efficiency EC motor with electronic control and motor current protection in case of rotor blockage
- Equipped with PWM signal control connector
- Pump mode indicator with error code display in case of damage
- Automatic pump venting function
- Pump start-up function
- Compact pump design

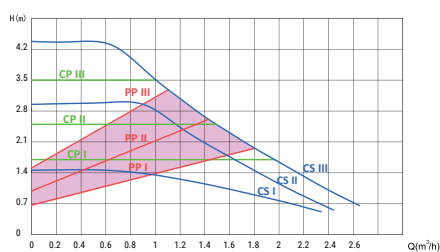
Dimensions

SIZE RANGE	DIMENSION [mm]					
	L1	L2	L3	H1	H2	H3
CI-TITANIO 15/X-130	93	126	99	110	130	60
CI-TITANIO 25/X-130					180	
CI-TITANIO 25/X-180					180	
CI-TITANIO 32/X-180					180	

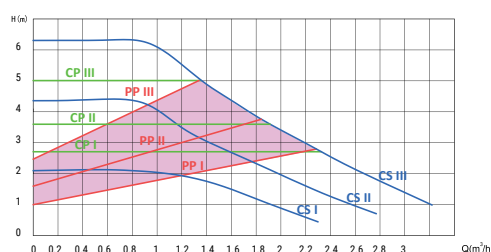


Hydraulic characteristics of pumps

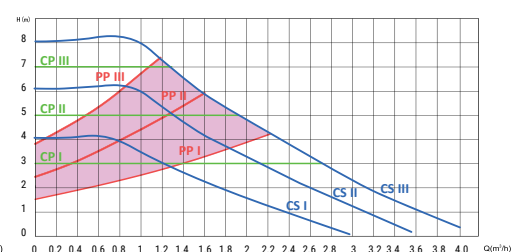
CI-TITANIO 25/40



CI-TITANIO 25/60, CI-TITANIO 15/60



CI-TITANIO 25/80, CI-TITANIO 32/80



■ PP proportional pressure curve
 ■ CP constant pressure curve
 ■ CS fixed curve
 ■ AUTO

Helio

Electronic pump



Use

Helio electronic pump is widely used in central heating, air conditioning, solar and heat pump systems.

Its use, compared to old-type pumps, saves electricity up to 80%.

Advantages

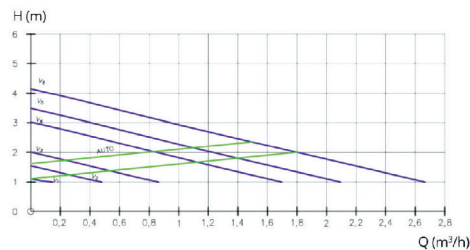
- 6 speeds + AUTO mode
- Self-venting design
- Electric cable with plug included

Technical details

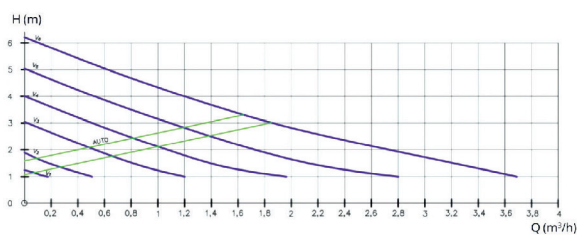
- Energy efficiency index: $EEL \leq 0,20$
- Liquid temperature: from -10°C to 110°C
- Maximum operating pressure: 10 bar
- Acceptable ambient temperature: 40°C
- Circulated liquid: water according to PN-C-04607:1993 standard (free of solid particles, fibers and other impurities) and water-glycol solution of up to 50% concentration.
- Supply voltage: 230V (50Hz)
- Protection class: IP44
- Insulation class: F

Hydraulic characteristics of pumps

CI-HELIO 25/40-180



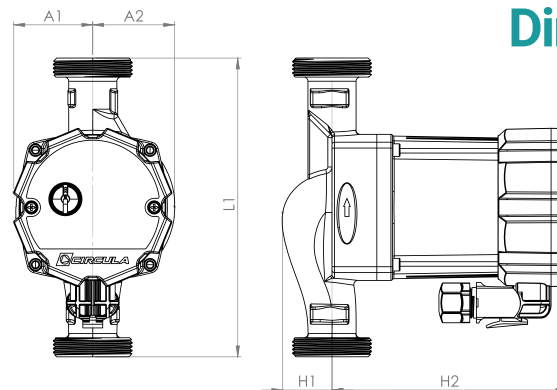
CI-HELIO 25/60-130, CI-HELIO 25/60-180



Pump parameters

SIZE RANGE	MAX FLOW [m ³ /h]	BODY CONNECTOR DIAMETER	MAX HEAD [m]	POWER [W]
CI-HELIO 25/40-180	2,3	G 1 1/2"	4	22
CI-HELIO 25/60-180	3,1	G 1 1/2"	6	45
CI-HELIO 25/60-130	3,1	G 1 1/2"	6	45

Dimensions



SIZE RANGE	DIMENSION [mm]				
	L1	A1	A2	H1	H2
CI-HELIO 25/60-130	130	47	49	30	140
CI-HELIO 25/40-180	180	47	49	30	140
CI-HELIO 25/60-180	180	47	49	30	140

Selenio

Electronic pump



Use

Selenio electronic pump is widely used in central heating, air conditioning, solar and heat pump systems.

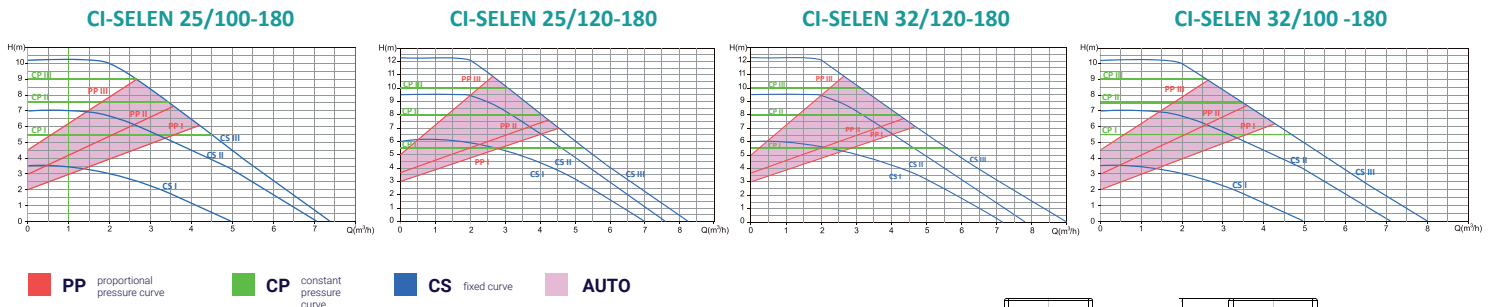
Advantages

- Equipped with a control panel on which the current pump settings are displayed using LEDs
- Automatically venting design equipped with a central screw for venting and starting-up the rotor
- Electric cable and half unions included

Technical details

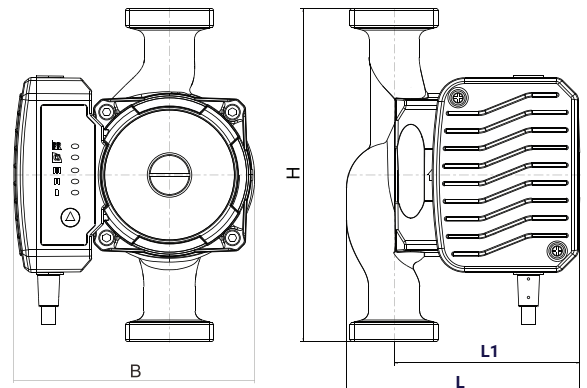
- Liquid temperature: $2^{\circ}\text{C} \div 110^{\circ}\text{C}$
- Temperature class: TF=110°C
- Acceptable working pressure: 10 bar
- Supply voltage: 230V (50Hz)
- Protection class: IP44
- Insulation class: F
- Highest energy efficiency index: $\text{EEI} \leq 0,23$
- Circulated liquid: water according to PN-C-04607:1993 standard (free of solid particles, fibers and other impurities) and water-glycol solution of up to 50% concentration

Hydraulic characteristics of pumps



Dimensions

SIZE RANGE	DIMENSION [mm]			
	L	L1	H	B
CI-SELEN 25/100-180	133	95	180	143
CI-SELEN 32/100-180				
CI-SELEN 25/120-180				
CI-SELEN 32/120-180				



Pump parameters

SIZE RANGE	POWER [W]	MAX FLOW [m³/h]	MAX HEAD [m]	BODY CONNECTOR DIAMETER
CI-SELEN 25/100-180	140	7,5	0-10	1 1/2"
CI-SELEN 32/100-180	140	8	0-10	2"
CI-SELEN 25/120-180	180	8,5	0-12	1 1/2"
CI-SELEN 32/120-180	180	9	0-12	2"

Galio

Electronic pump



Use

Galio electronic pump is widely used in central heating, air conditioning, solar and heat pump systems.

Advantages

- Equipped with a control panel with LED display
- Automatically venting design
- Equipped with a central screw for venting and starting-up the rotor
- Electric cable and half unions included

Technical details

Liquid temperature: 2°C ÷ 110°C

Temperature class: TF=110°C

Acceptable working pressure: 10 bar

Supply voltage: 230V (50Hz)

Protection class: IP44

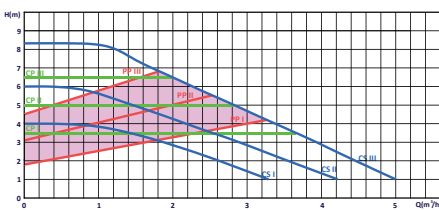
Insulation class: F

Energy efficiency index: EEI ≤ 0,20

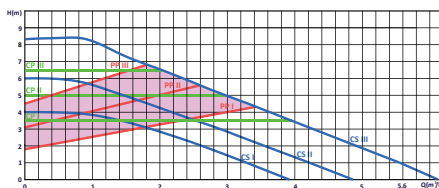
Circulated liquid: water according to PN-C-04607:1993 standard (free of solid particles, fibers and other impurities) and water-glycol solution of up to 50% concentration

Hydraulic characteristics of pumps

CI-GALIO 25/80-180, CI-GALIO 25/80-130BS



CI-GALIO 32/80-180

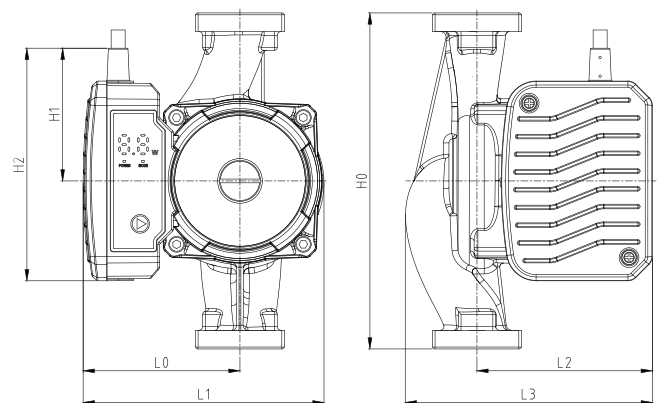


■ PP proportional pressure curve
 ■ CP constant pressure curve
 ■ CS fixed curve
 ■ AUTO

Pump parameters

SIZE RANGE	POWER [W]	MAX FLOW [m³/h]	MAX HEAD [m]	BODY CONNECTOR DIAMETER
CI-GALIO 25/80-180	80	5	0,3-8	1 1/2"
CI-GALIO 32/80-180	80	6	0,3-8	2"
CI-GALIO 25/80-130BS	80	5	0,3-8	1 1/2"

Dimensions



SIZE RANGE	DIMENSION [mm]						
	L0	L1	L2	L3	H0	H1	H2
CI-GALIO 25/80-130BS	84	130	104	127	130	71	125
CI-GALIO 25/80-180 CI-GALIO 32/80-180	84	130	94	132	180	71	125

Torio

Electronic circulated pump
for domestic hot water

Use

Torio electronic pump is widely used in domestic hot water systems. Its use, compared to old-type pumps, saves electricity up to 80%.

Technical details

Max water temperature in the system: 95°C

Acceptable operating pressure: 10 bar

Acceptable ambient temperature: 40°C

Circulated liquid: pure water, non-aggressive, non-explosive, free of mineral oils

Supply voltage: 230V (50Hz)

Protection class: IP44

Insulation class: F

6 speeds + ECO mode

Material

Body: stainless steel

Motor housing: plastic

Rotor: composite plastic

Rotor axis: stainless steel/ceramic

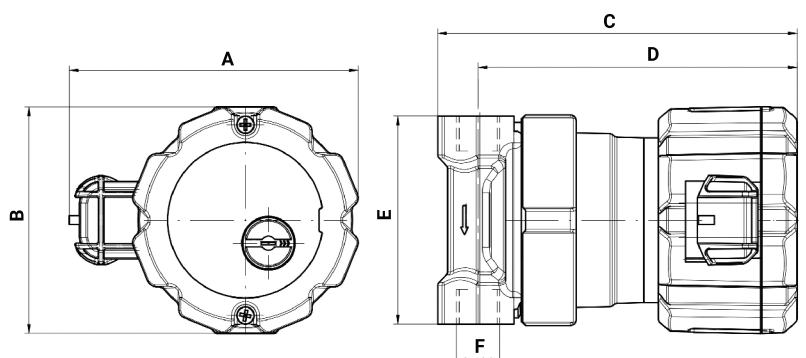
Bearings: ceramic

Advantages

→ Electric cable with plug included



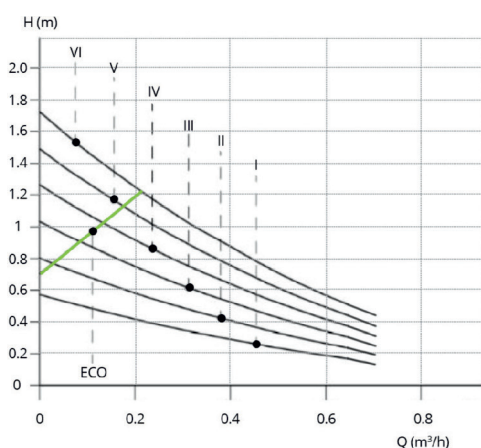
Dimensions



SIZE RANGE	TYPE
CI-TORIO 15/12	15/12

DIMENSION [mm]					
A	B	C	D	E	F
100	79	125	111	72	1/2

Hydraulic characteristics of pumps



Use

Platino electronic pump is widely used in domestic hot water systems. It is intended for hot domestic water only.

Advantages

- With a programmer and the temperature sensor
- Electric cable with plug (included)

Technical details

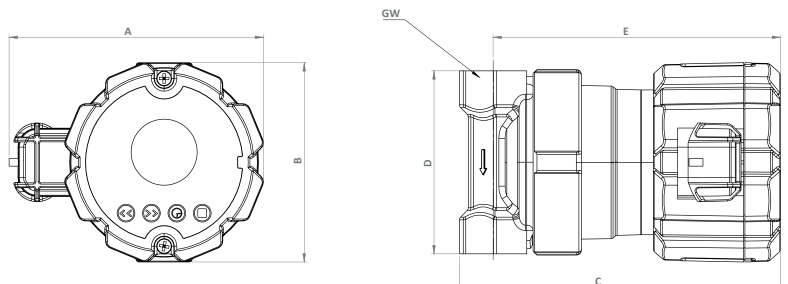
Supply voltage: 230 V, 50 Hz
 Rated power: 6W
 Power consumption P1 min=2 W
 Power consumption P1 max=9 W
 Insulation class: F
 Protection class: IP44
 Max domestic hot water temperature: TF=95°C
 Max operating pressure: PN=10 bar
 Current: 0,11 A
 Body connector diameter 1/2"
 Liquid circulated: meeting the requirements of the Regulation of the Minister of Health of 7 December 2017, on the quality of water intended for human consumption.

Platino

Electronic circulation pump for domestic hot water

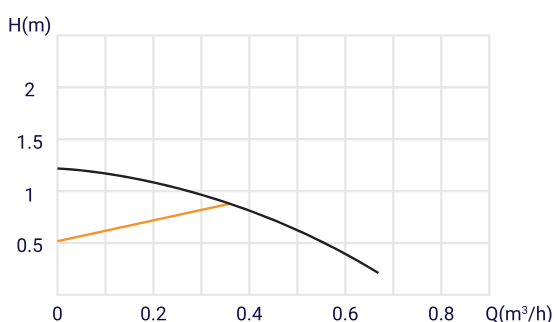


Dimensions



Hydraulic characteristics of pumps

CI-PLATINO 15



SIZE RANGE	TYPE
CI-PLATINO 15	15/10

DIMENSION [mm]					
A	B	C	D	E	GW
100	78	126	72	113	1/2"

PC

Circulation pump for domestic hot water

Use

Circulation pump can be used for domestic hot water in accordance with Commission Regulation (EC) No. 641/2009.

High-quality asynchronous motor, no overload protection required. The capacity of the pump is regulated by a 3-position switch located on the electrical module box, which allows you to adjust the operation of the pump to the characteristics of the installation.

Advantages

→ Included with pump: electric cable with plug and 2 steel half-unions with gaskets

Technical details

Liquid temperature: from -10°C to 110°C

Maximum operating pressure: 10 bar

Acceptable ambient temperature: 40°C

Circulated liquid: domestic hot water

Supply voltage: $1 \sim 230\text{V} \pm 10\%$

Frequency: 50Hz

Protection class: IP44

Insulation class: F

Material

Body: cast iron covered inside with GLAZE 221

Motor housing: aluminum

Impeller: plastic

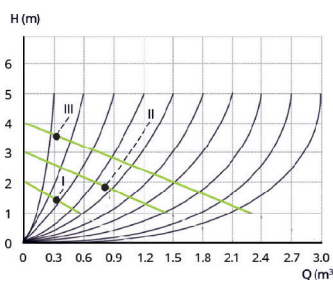
Shaft: ceramic

Bearings: ceramic

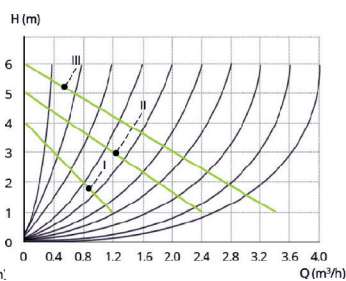


Hydraulic characteristics of pumps

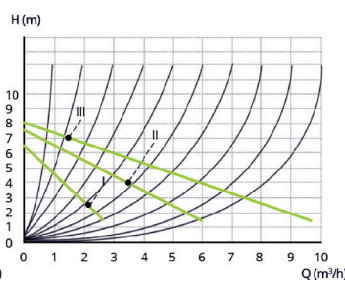
CI-PC 25/40-180



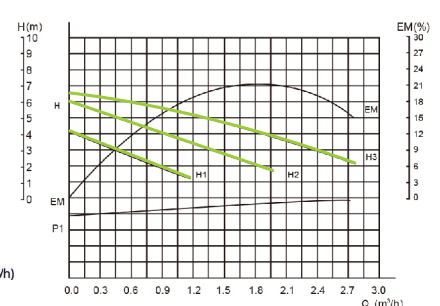
CI-PC 25/60-130,
CI-PC 25/60-180,



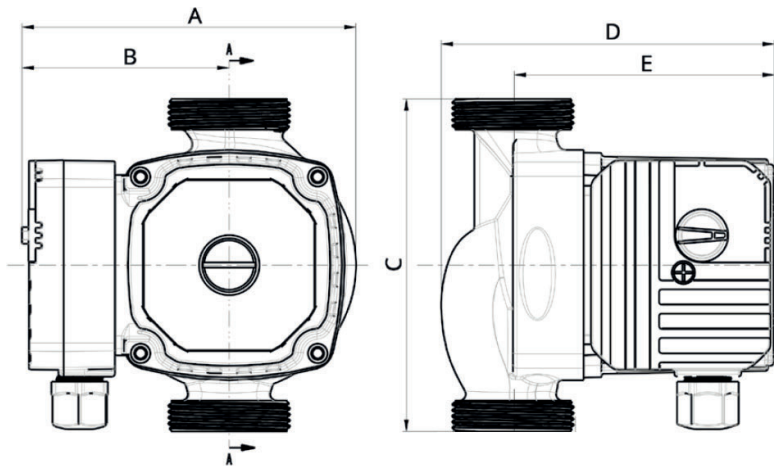
CI-PC 25/80-180,
CI-PC 32/80-180



CI-PC 15/60-130



Dimensions



SIZE RANGE	A	B	C	D	E
CI-PC25/40-180	180	81	180	131	101
CI-PC25/60-180	180	81	180	131	101
CI-PC15/60-130 BPS*	130	81	130	131	101
CI-PC15/60-130 BS**	130	81	130	131	101
CI-PC25/60-130	130	81	130	131	101
CI-PC25/60-130 BPS*	130	81	130	131	101
CI-PC25/80-180	180	81	180	131	101
CI-PC32/80-180	180	81	180	131	101

Pump parameters

SIZE RANGE	MAX FLOW [m ³ /h]	MAX HEAD [m]	MOUNTING LENGTH [mm]	BODY CONNECTOR DIAMETER
CI-PC25/40-180	2,9	4	180	1 1/2"
CI-PC25/60-180	3,3	6	180	1 1/2"
CI-PC15/60-130 BPS*	2,9	6	130	1"
CI-PC15/60-130 BS**	2,9	6	130	1"
CI-PC25/60-130	3,3	6	130	1 1/2"
CI-PC25/60-130 BPS*	3,3	6	130	1 1/2"
CI-PC25/80-180	6,9	8	180	1 1/2"
CI-PC32/80-180	9,6	8	180	2"

* without cable and half-unions

** without half-unions

