

**cluro**  
system



THE SET  
IS READY FOR  
INSTALLATION



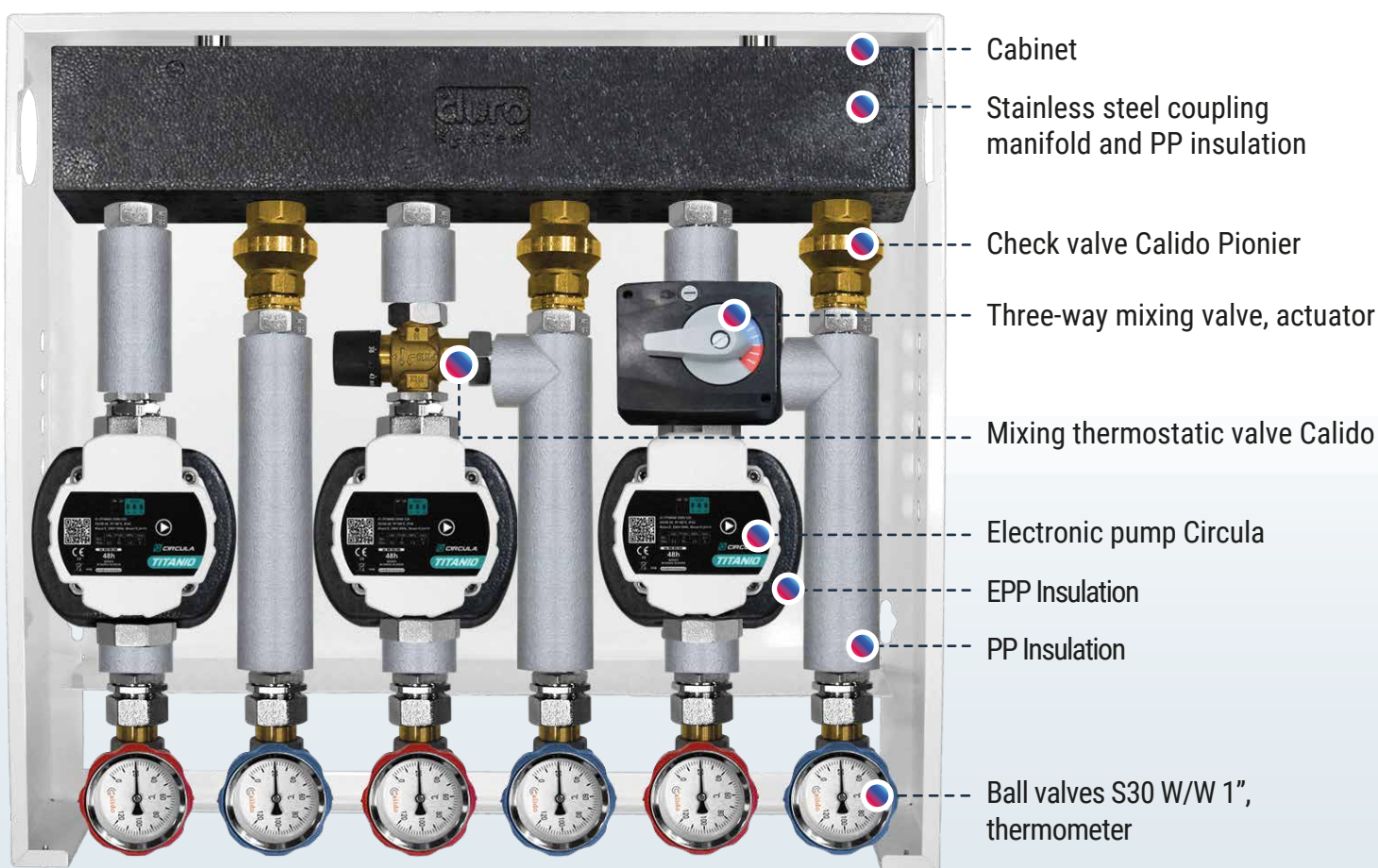
# Pump groups

with manifold / coupling manifold and casing,  
2 - section / 3 - section

## Application

- Application in central heating  and floor heating systems 
- Aimed for division of heating system circuits.
- Available in configuration with two or three separate heating circuits.
- The heating circuits are combined with a dedicated coupling manifold system or a manifold from stainless steel.
- All the elements of pump groups Duro System are factory-assembled and closed in a cabinet, which ensures quick and trouble-free assembly and start-up of the entire system.
- Assembly set (bolts + screws) attached insulation: EPP,PP.

## Construction



## Technical data

Power of the system  $\leq 30$  kW

P max: 6 bar

T max: 90°C

Medium: **water (pursuant to PN-C-04607:1993) or water and glycol solution, up to 50%**

Kvs value (flow coefficient) of a 3-way thermostatic valve Calido: **1,6 m<sup>3</sup>/h** → maximum heating surface **130 m<sup>2</sup>**

Kvs value (flow coefficient) of a 3-way thermostatic valve Calido: **3,2 m<sup>3</sup>/h** → maximum heating surface **250 m<sup>2</sup>**

Temperature control range of 3-way thermostatic valve: **23÷43°C**

Kvs value (flow coefficient) of a 3-way mixing valve Calido: **8,4 m<sup>3</sup>/h** → maximum heating surface **600 m<sup>2</sup>**

## Configure your pump group

Select the components for your heating system and order the right pump group.



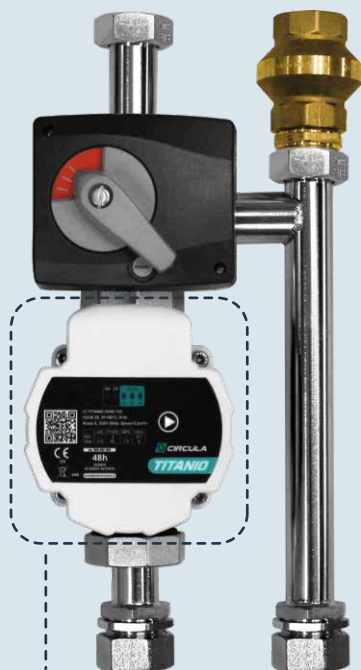
Configurator  
ONLINE



<https://arka-instalacje.pl/kalkulator>



with a three-way mixing valve and an electric actuator



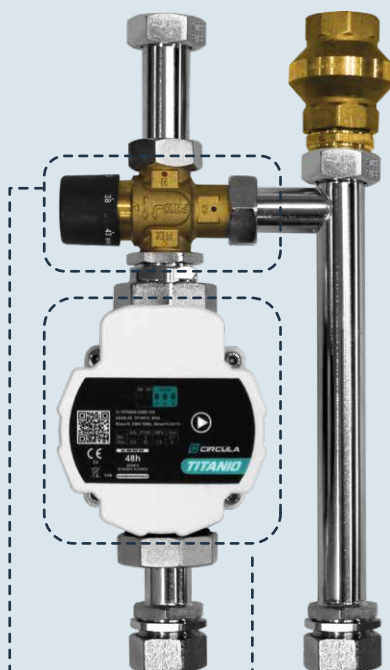
Titanio pump  
25/60-130

or

Titanio pump  
25/80-130



with a three-way thermostatic valve



Thermostatic, mixing,  
three-way valve  
Kvs 1,6 m<sup>3</sup>/h

or

Thermostatic, mixing,  
three-way valve  
Kvs 3,2 m<sup>3</sup>/h

Titanio pump  
25/60-130

or

Titanio pump  
25/80-130



direct  
(without mixing)



Titanio pump  
25/60-130

or

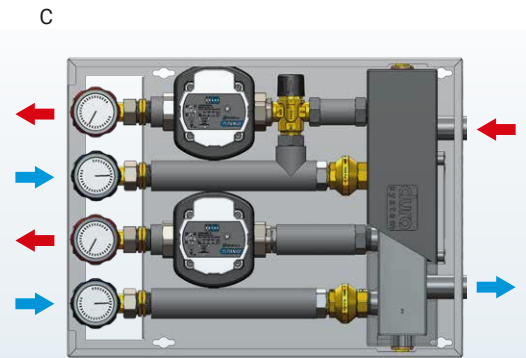
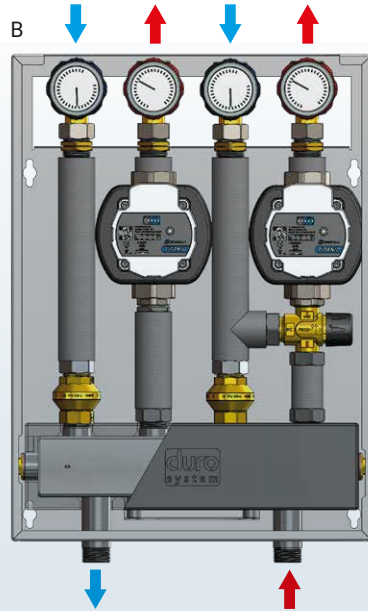
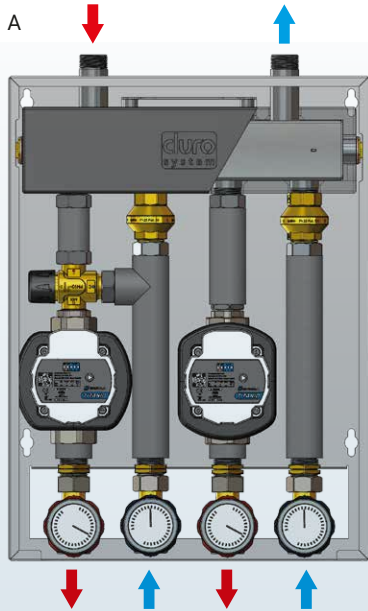
Titanio pump  
25/80-130



# Method of assembly

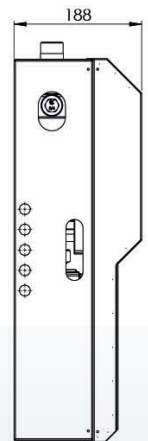
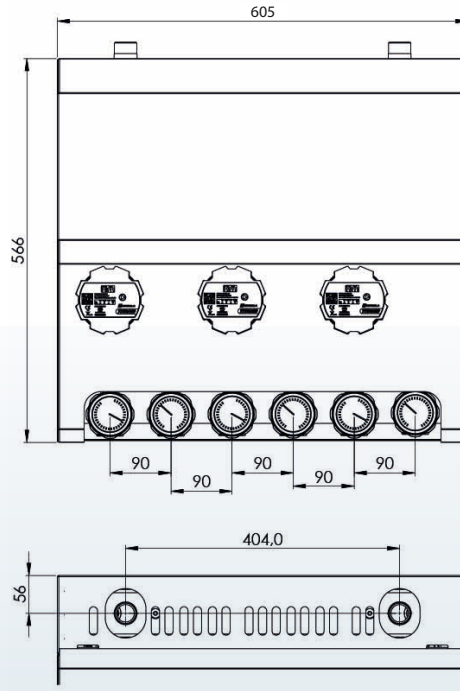
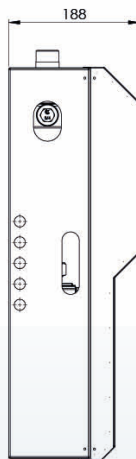
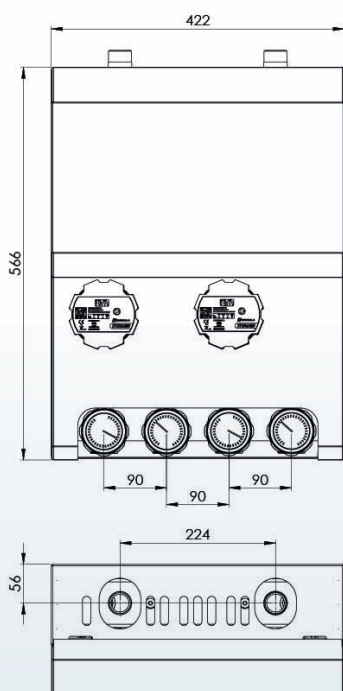
Pump groups can be installed in the following positions:

- heating medium is pumped downwards
- heating medium is pumped upwards
- heating medium is pumped upwards



In case of a lateral position, it is recommended that on the top of the coupling manifold system or the manifold an automatic air-vent should be installed and at the bottom of the coupling manifold system or the manifold a drain valve should be installed.

# Dimensions



Arka Sp z o.o.  
ul. Ogrodowa 5,  
76-004 Sianów  
Poland



LEAFLET



CATALOG

arka-instalacje.pl