

**BALL VALVES
FOR DRINKING WATER**

Let's PRO



**RESISTANT
TO DEZINCIFICATION**



**MODERN DYNAMIC
SEALING**



**REINFORCED
BODY PN40**



ANTI-LIME

S40 PRO

Purpose

This is a series of ball valves designed for the distribution of water intended for human consumption, meeting the highest hygiene standards set out in the Directive of the European Parliament and Council of December 16, 2020, on the quality of water intended for human consumption, and in the regulation of the Minister of Health of December 7, 2017, on the quality of water intended for human consumption. The materials used comply with the 4ms requirements. The valves can also be installed in heating installations (including those with a glycol solution up to 40%), pneumatic cooling systems, and oil systems.

Security system

The design and assembly of the stem prevent being pushed out of the body due to sudden pressure increase in the system.

Work parameters

Temperature range:

for liquids: -20°C (no freezing) to +150°C

pressure range:

for liquids: up to 40 bar

Seals

Tightness (inner ball and outer stem) guaranteed is by PTFE seals. For increased safety, valve stems are equipped with a double seal:

- at the top of the stem traditional passive gland is used, with the possibility of additional sealing with a nut;
- at the bottom of the stem, modern dynamic sealing is applied in which the force of sealing increases with the increase in pressure between the ball and the body.



100% of valves are pneumatically tested for tightness.

Drive

The valves are equipped with levers made of stainless steel and plastic cover. The covers have a window - after the label is pulled out it is possible to describe, e.g. to which fixture we may close the flow with particular valve. Design of body and lever facilitates the change of lever mounting sides to make easier when mounting the valve.

Warranty

The warranty period for CALIDO series S40 PRO ball valves is 5 years from the date of purchase. The warranty covers the replacement or repair of the product along with the costs incurred for these activities.

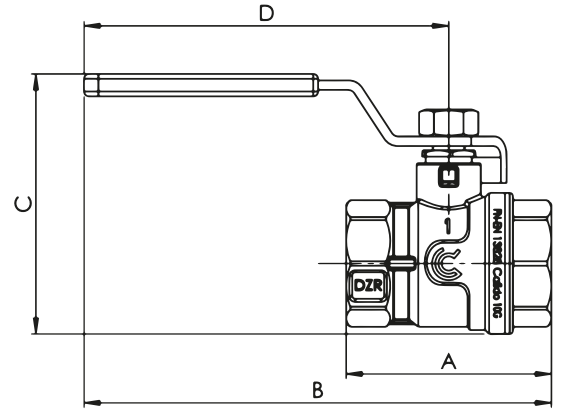
Standards and certificates

- National Technical Assessment ITB-KOT-2020/1513 edition 1,
- valves compliant with the requirements of the European Directive 2014/68/EU,
- CE certificate for valve sizes 1 1/2" - 2",
- valves in accordance with the PN-EN 13828:2005 norm,
- threads in accordance with the PN-EN-ISO 228/1 norm,
- materials in accordance with the requirements specified within the 4MS system,
- product with NIZP-PZH certificate - dedicated for drinking water.

Assortment

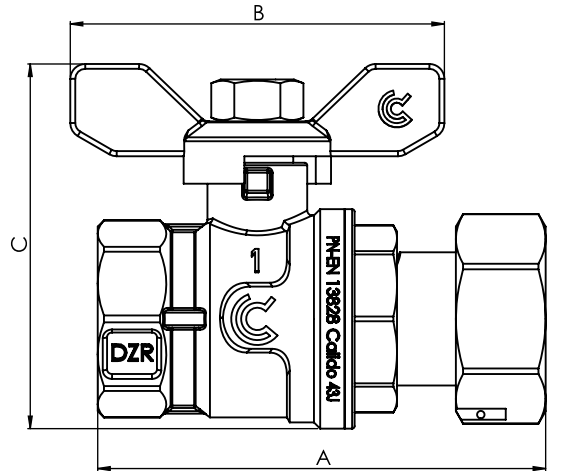
Anti-lime ball valve F-F

Size range	Dimension	A (mm)	B (mm)	C (mm)	D (mm)
CA/ZK-S40A-WWR15-OK	1/2"	49	119	62	94
CA/ZK-S40A-WWR20-OK	3/4"	56	122	69	94
CA/ZK-S40A-WWR25-OK	1"	64	146	81	114
CA/ZK-S40A-WWR32-OK	1 1/4"	76	151	90	114
CA/ZK-S40A-WWR40-OK	1 1/2"	87	199	102	155
CA/ZK-S40A-WWR50-OK	2"	102	207	118	155



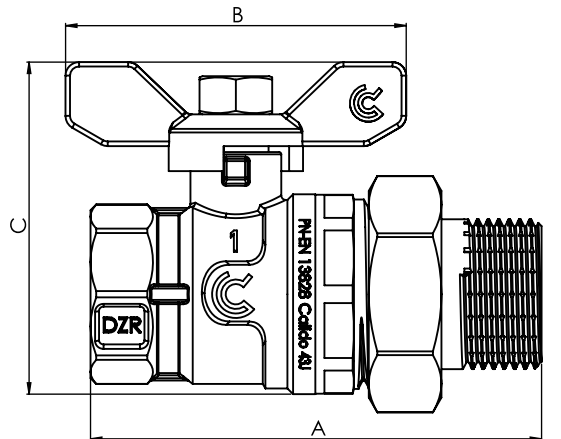
Ball valve with movable nut GW/GW "butterfly"

Size range	Dimension	A (mm)	B (mm)	C (mm)
CA/ZK-S40-WWRNM15	1/2"	72	54	53
CA/ZK-S40-WWRNM20	3/4"	81	54	61
CA/ZK-S40-WWRNM25	1"	95	75	76



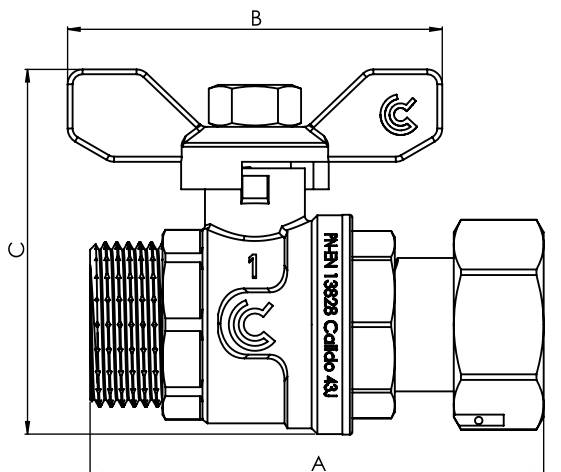
Ball valve with movable nut GW/GZ with half-union "butterfly"

Size range	Dimension	A (mm)	B (mm)	C (mm)
CA/ZK-S40-WZPM15	1/2"	78	54	54
CA/ZK-S40-WZPM20	3/4"	81	54	61
CA/ZK-S40-WZPM25	1"	99	75	73



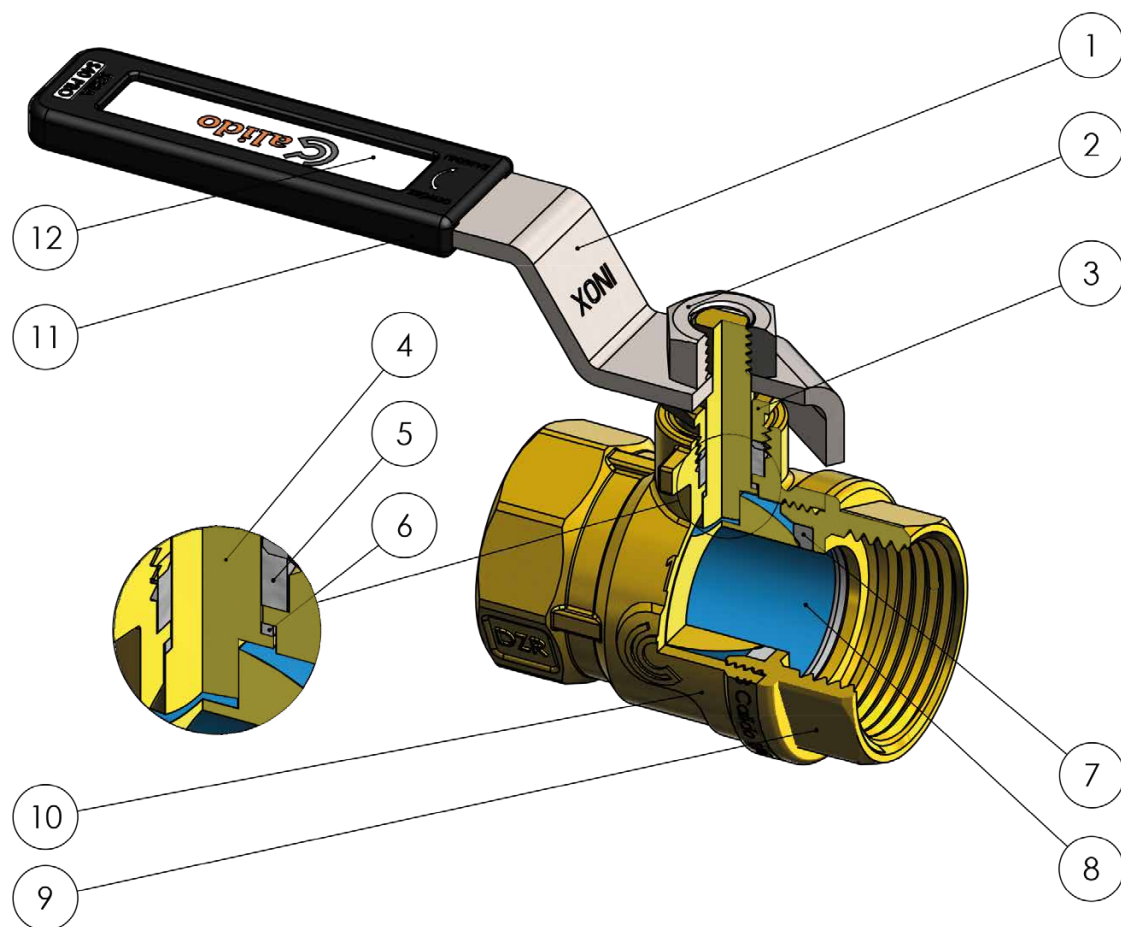
Ball valve with movable nut GW/GZ "butterfly"

Size range	Dimension	A (mm)	B (mm)	C (mm)
CA/ZK-S40-WZRNM15	1/2"	72	54	54
CA/ZK-S40-WZRNM20	3/4"	82	54	62
CA/ZK-S40-WZRNM25	1"	91	75	73



Design

The valve body is made of DZR brass resistant to dezincification, which eliminates the need of covering it with a layer of chrome or nickel, and the ball is covered with nanoceramics (anti-lime material). All materials used in the production of the valve are approved for contact with drinking water and glycol solution up to 40%.



Lp	Description	Material	Finish surface
1	lever	stainless steel	brushed
2	lever nut	stainless steel	-
3	gland nut	brass CW614N	-
4	stem	brass CW614N	-
5	gland seal	PTFE teflon	-
6	stem seal	PTFE teflon	-

Lp	Description	Material	Finish surface
7	ball sealing	PTFE teflon	-
8	ball	brass CW617N	nanoceramics
9	side body	brass DZR	sandblasted
10	body	brass DZR	sandblasted
11	cover with a window	PE+EVA	-
12	label	PVC	-